

Straight Liquid Tight Conduit Fittings Male, Brass

Liquid Tight Conduit Fittings Straight (Male), Brass

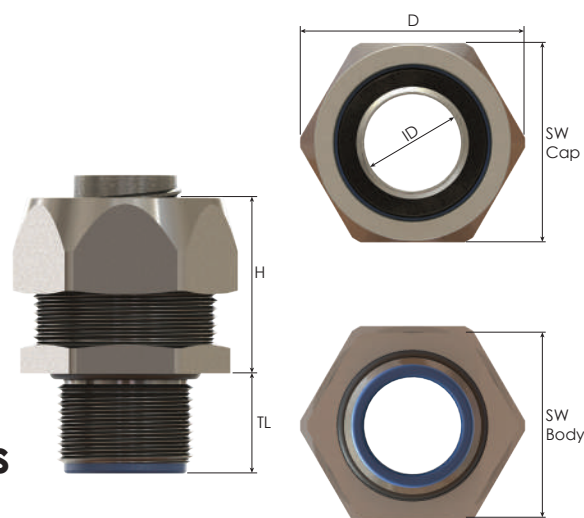
- Fittings for Sealrite conduits.
- For metal machines and housings.
- For standard industrial applications in harsh environments.
- Great corrosion protection.
- Easy assembly.
- High quality strain relief and sealing, reliable performance for standard industrial applications.

Technical Details

	Body, Cap	Brass Nickel plated		
	Ferrule	Brass Nickel plated or Steel zinc plated		
Material	Prot.Bushing	Polyamide 6 V2	Metric	PG
	Seal Ring	Polyamide 6 V2		
	O-Ring	NBR		
Ingress Protection Rating		IP 65		
		IP 66		
Operating Temperature	Permanent	-45 °C to +105 °C		
Cable Type	Non armoured			
Thread Type	<ul style="list-style-type: none"> • Metric EN 60423 • PG DIN 40430 • NPT ANSI B1.20.1 			
Accessories	<ul style="list-style-type: none"> • Lock nuts • Also available in Stainless Steel 			
Remarks	<ul style="list-style-type: none"> • O-ring available in Metric and PG threads. • Accessories must be ordered separately. 			



Straight Liquid Tight Conduit Fittings Male, Brass



Thread Type acc. to EN 60423

Outer Thread Size (Male)	For Seallite Nominal Size	Outer Thread Length		Spanner Width		Outer Ø	Inner Ø	max. Height	Part Number	Minimum Order Quantity
		TL mm	SW Cap mm	SW Body mm	D mm					
M12x1,5	1/4"	10,0	22	20	24,5	5,2	23,0	BBFM-01	500	
M16x1,5	5/16"	11,5	26	24	29,0	8,3	25,5	BBFM-02(S)	500	
	3/8"	11,5	26	24	29,0	10,2	25,5	BBFM-02	500	
M20x1,5	3/8"	13,0	26	24	29,0	10,2	25,5	BBFM-03(S)	400	
	1/2"	13,0	29	27	32,7	13,5	26,5	BBFM-03	400	
M25x1,5	3/4"	15,0	35	33	39,0	18,5	27,0	BBFM-04	200	
M32x1,5	1"	15,0	45	43	50,0	23,5	34,0	BBFM-05	100	
M40x1,5	1 1/4"	16,0	54	52	60,0	31,8	38,5	BBFM-06	60	
M50x1,5	1 1/2"	18,0	63	60	69,3	36,8	40,5	BBFM-07	40	
M63x1,5	2"	20,0	77	74	85,0	47,8	47,0	BBFM-08	28	

Thread Type PG acc. to DIN 40430

Outer Thread Size (Male)	For Seallite Nominal Size	Outer Thread Length		Spanner Width		Outer Ø	Inner Ø	max. Height	Part Number	Minimum Order Quantity
		TL mm	SW Cap mm	SW Body mm	D mm					
PG 7	1/4"	10,0	22	20	24,5	5,2	23,0	BBFB-01	500	
PG 9	1/4"	10,0	22	20	24,5	5,2	23,0	BBFB-02	500	
	5/16"	10,0	22	20	24,5	8,3	22,5	BBFB-02(A)	500	
	5/16"	11,5	26	24	29,0	8,3	22,5	BBFB-02(B)	500	
	3/8"	11,5	26	24	29,0	10,2	25,5	BBFB-02(C)	500	
PG 11	3/8"	11,5	26	24	29,0	10,2	25,5	BBFB-03	500	
PG 13,5	3/8"	11,5	26	24	29,0	10,2	25,5	BBFB-04	500	
PG 16	1/2"	13,0	29	27	32,7	13,5	26,0	BBFB-05	400	
PG 21	3/4"	15,0	35	33	39,0	18,5	26,5	BBFB-06	200	
PG 29	1"	15,0	45	43	50,0	23,5	34,0	BBFB-07	100	
PG 36	1 1/4"	16,0	54	52	60,0	31,8	38,0	BBFB-08	60	
PG 42	1 1/2"	18,0	63	60	69,3	36,8	41,0	BBFB-09	40	
PG 48	2"	20,0	77	74	85,0	47,8	46,5	BBFB-10	28	

Thread Type NPT acc. to ANSI B1.20.1

Outer Thread Size (Male)	For Seallite Nominal Size	Outer Thread Length		Spanner Width		Outer Ø	Inner Ø	max. Height	Part Number	Minimum Order Quantity
		TL mm	SW Cap mm	SW Body mm	D mm					
NPT 1/4"	1/4"	10,0	22	20	24,5	5,2	23,0	BBFN-05	500	
NPT 3/8"	1/4"	10,0	22	20	24,5	10,2	23,0	BBFN-01(S)	500	
	3/8"	11,5	26	24	29,0	10,2	25,5	BBFN-01	500	
NPT 1/2"	3/8"	13,0	26	24	29,0	10,2	25,5	BBFN-02(S)	400	
	1/2"	13,0	29	27	32,7	13,5	26,0	BBFN-02	400	
NPT 3/4"	3/4"	15,0	35	33	39,0	18,5	27,0	BBFN-03	200	
NPT 1"	1"	15,0	45	43	50,0	23,5	33,5	BBFN-04	100	
NPT 1 1/4"	1 1/4"	16,0	54	52	60,0	31,8	37,5	BBFN-05	60	
NPT 1 1/2"	1 1/2"	18,0	63	60	69,3	36,8	40,5	BBFN-06	40	
NPT 2"	2"	20,0	77	74	85,0	47,8	47,5	BBFN-07	28	